





*Our redesigned controls give you complete day-to-day control of your hood with **the ability to adjust light levels and the light warmth** as well as the usual motor speed and timer functions.*



Take control with Westin

We've redesigned all our controls with a new look, a more practical feel and enhanced functionality to give you complete day-to-day control of your hood. As well as the usual motor speed and timer functions, there is also the ability to adjust light levels and the light warmth. The new controls are available on newly ordered Westin hoods and all Westin Bespoke hoods.

New touch remote control

Fully redesigned, our remote control has a smooth glass finish and is fully touch sensitive for ease of use and understated elegance. It is the perfect complement to your new hood.

We've built in enhanced functionality so that in addition to the expected motor speed and timer features, it is now also possible not only to dim or brighten the lights levels but also to adjust the light temperature, giving a warmer or cooler light colour.

- Fully touch sensitive touch remote control with a smooth wipe-clean glass finish.
- On/off and timer functions.
- Easy movement through motor speed.
- Control light brightness.
- Control light warmth.
- Long 60 day battery life with quick 3 hour re-charge via USB.

New LCD touch control

Our new LCD touch control replicates all the functionality of the remote control and is an ideal choice for hoods where the controls are on display and easily accessible.

- Fully touch sensitive touch with a smooth wipe-clean glass finish.
- On/off and timer functions.
- Easy movement through motor speed.
- Control light brightness.
- Control light warmth.
- Available in a vertical or horizontal orientation.

New tactile push buttons

We've redesigned our push button controls to make them more tactile to touch, enabling them to be operated by feel alone.

The mechanical operation of the buttons gives positive feedback and so they are particularly suited to our built-in over hob hoods where the hood baseplate remains largely out of sight. Similarly, they are an ideal choice for bespoke hoods sited in chimneys and mantelpieces.

- Fully tactile buttons with positive feedback.
- On/off and timer functions.
- Dedicated buttons for motor speed.
- Dedicated button for lights on/off.
- Available in a vertical or horizontal orientation.



Choose to take control



with a Westin hood

Westin is a British name synonymous with high quality, desirable cooker hoods. We design and manufacture a wide variety of model type, many with a choice of options and specification.



Choose to take control

with a Bespoke hood

At Westin we're aware that no two kitchens are the same and so we offer the Westin *Bespoke* design and finish service so that you can complete your perfect kitchen with your perfect hood.



Pictured: Westin Stratus 360, image courtesy of Tom Howley Kitchens

Choose a Westin hood





Pictured: Westin Cache Twin
Image courtesy of Moneyhill Interiors

New Hoods

Responding to customer feedback and the marketplace, we are proud to offer newly developed models across the Westin range of hoods.

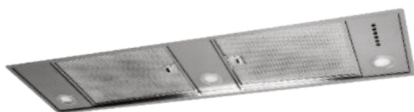
The new Westin Edge baseplate is incorporated into existing model ranges to give an extended choice. It has a contemporary and distinctive angular design which is not just cosmetic – the shape has been designed specifically to increase the performance of the hood. This is achieved by increasing the catchment area of the hood and smoothing the air flow into it.



American



Cache Edge



Cache Twin



Harmony / Harmony Plus



Martelli Edge



Serna Edge



Stratus Edge



Stratus Mono

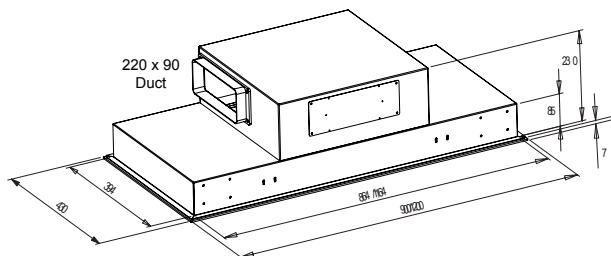
Stratus Mono

ceiling hood



The Stratus Mono is a sleek, glass ceiling hood available in black or white.

The precision movement of the descending extraction panel increases the catchment area and enables direct air flow into the hood. This improves performance and effectiveness by 7% when compared to conventional ceiling hoods.



Hood type:	Ceiling
Model ref:	Stratus Mono
Dimensions:	900 or 1200 x 430 x 230mm
Finish:	Black or white glass
Controls:	4-speed remote control
Lighting:	4x 3.4W natural white (4000K) dimmable LED
Filters:	Aluminium mesh, suitable for dishwashers
Duct position:	Left, right, front or rear
Motor options:	Internal, recirculating
Energy rating (internal motor):	B
Energy rating (remote motor):	n/a



white glass

American wall mounted hood



Our American hood has a powerful internal motor ideally suited for range cookers and professional hobs. It comes in an industrial style with a large catchment area and increased filter area. Available in a range of sizes, it is designed to perfectly match the width of most range cookers.

Hood type:	Wall mounted
Model ref:	American
Dimensions:	900, 914, 1000, 1100, 1200, 1219, 1500 or 1524 x 610 x 450mm
Finish:	Stainless steel
Controls:	4-speed LCD touch control
Lighting:	3x 2.6W variable warmth (3000–6000K) dimmable LED (4x on 1200+ models)
Filters:	Stainless steel baffle, suitable for dishwashers
Duct position:	Top or rear (200mm ducting)
Motor options:	Internal, recirculating
Energy rating (internal motor):	B
Energy rating (remote motor):	n/a

Cache Edge built-in over hob hood

The Cache Edge encompasses the Westin Edge baseplate which improves the catchment area of the hood and enables the air to flow more smoothly into the hood – both of which improve performance. The hood features our redesigned push button controls.



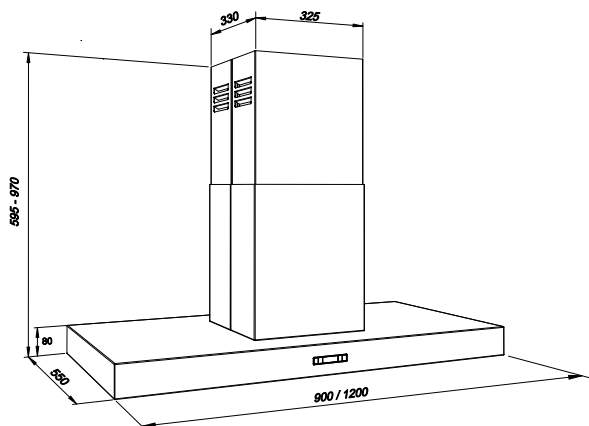
Hood type:	Built-in over hob
Model ref:	Cache Edge
Dimensions:	900 or 1100 x 292 x 300mm
Finish:	Stainless steel
Controls:	4-speed push button
Lighting:	2x 10.2W variable warmth (2700–6250K) dimmable LED light blades
Filters:	Aluminium mesh, suitable for dishwashers
Duct position:	Top (Rear as a Westin <i>Bespoke</i> option)
Motor options:	Internal, remote, recirculating
Energy rating (internal motor):	B
Energy rating (remote motor):	B

Martelli Edge

island hood



The Martelli Edge is a contemporary style island hood with the Westin Edge baseplate. It features LCD touch controls and an extended filter area which improves performance.



Hood type:	Island
Model ref:	Martelli Edge
Dimensions:	900 or 1200 x 550 x 595–970 telescopic
Finish:	Stainless steel
Controls:	4-speed LCD touch control
Lighting:	2x 10.2W variable warmth (2700–6250K) dimmable LED light blades
Filters:	Aluminium mesh, suitable for dishwashers
Duct position:	Top
Motor options:	Internal, remote, recirculating
Energy rating (internal motor):	B
Energy rating (remote motor):	B

Cache Twin

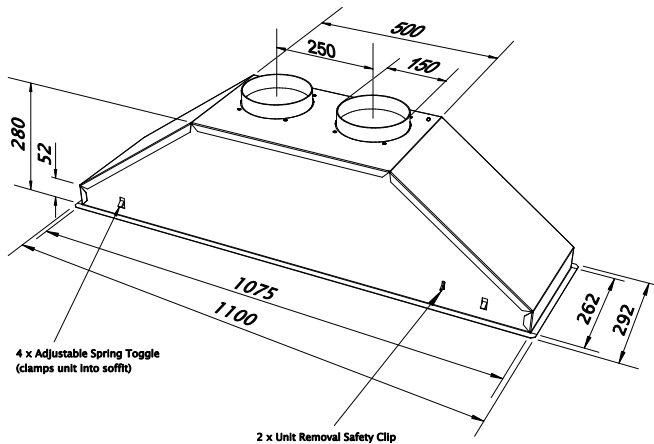
built-in over hob hood



The Cache Twin is a discreet hood with hidden power, designed to be built-in to chimneys or kitchen furniture.

From the base, the appearance is the same as a conventional Cache 1100 hood but inside are two internal motors in a unit just 280mm high.

This A energy rated hood provides an impressive airflow of 1362m³/hr on the intensive setting and offers an ideal solution for creative cooks.





Hood type:	Built-in over hob
Model ref:	Cache Twin
Dimensions:	1100 x 292 x 280mm
Finish:	Stainless steel
Controls:	4-speed remote control or 4-speed push button control
Lighting:	3x 2.6W natural white (4000K) LED
Filters:	Aluminium mesh, suitable for dishwashers
Duct position:	Top (Rear as a Westin <i>Bespoke</i> option)
Motor options:	2x internal
Energy rating (internal motor):	A
Energy rating (remote motor):	n/a

Serna Edge

wall mounted hood



The Serna Edge is a contemporary style wall mounted hood with the Westin Edge baseplate. It features LCD touch controls and an extended filter area which improves performance.



Hood type:	Wall mounted
Model ref:	Serna Edge
Dimensions:	900 or 1200 x 550 x 595–970 telescopic
Finish:	Stainless steel
Controls:	4-speed LCD touch control
Lighting:	2x 10.2W variable warmth (2700–6250K) dimmable LED light blades
Filters:	Aluminium mesh, suitable for dishwashers
Duct position:	Top or rear
Motor options:	Internal, remote, recirculating
Energy rating (internal motor):	
Energy rating (remote motor):	

Stratus Edge

ceiling hood

The Stratus Edge joins our family of Stratus ceiling hoods offering discrete and efficient extraction. The Westin Edge baseplate increases the performance of the hood by improving the catchment area and smoothing the air flow. Available in stainless steel or painted white, the hood also features our improved remote control unit.



Hood type:	Ceiling
Model ref:	Stratus Edge
Dimensions:	900 or 1200 x 440 x 195 (remote) or 295mm (internal motor)
Finish:	Stainless steel or painted (RAL 9003 signal white)
Controls:	4-speed remote control
Lighting:	none or 2x 10.2W variable warmth (2700–6250K) dimmable LED light blades
Filters:	Aluminium mesh, suitable for dishwashers
Duct position:	Left, right, front, top or rear
Motor options:	Internal, remote, recirculating
Energy rating (internal motor):	
Energy rating (remote motor):	

Harmony and Harmony Plus integrated hob hoods

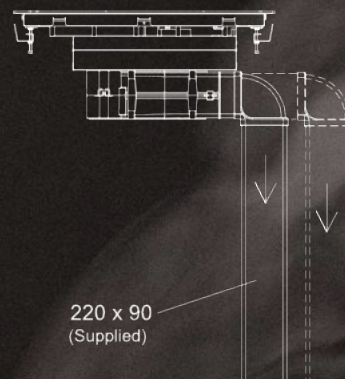
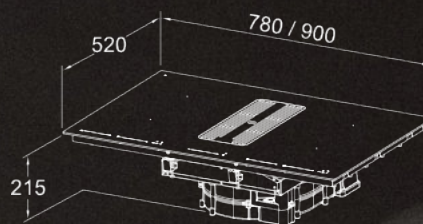
The Westin Harmony is the latest in worktop solutions and provides an ideal cooking combination. A fully featured induction hob partners with efficient extraction to quietly draw odours, steam and fumes as soon as they are created. The Harmony Plus is a wider version allowing larger pans to be used on the hob and has a feature bevelled edge.

Each Harmony package includes the G5 induction hob, a motor and an easily installed ducting kit which enables flexible positioning of the ducting.

Induction G5 Hob Features

- Touch Controls for all functions
- 4 x Cooking Zones
- 4 x 3700W Max Cooking Zone Power (4 x 2100W = P: 4 x 3700W) Total Output: 7400W
- Bridging Function: Flexible cooking zones combine to create single large zones (Zone 1+2 and Zone 3+4)
- Automatic heat-up function
- 9 Power settings for all zones
- Booster function on all zones
- Over-heating protection
- Keep warm function
- Timer function
- Operating time limit function
- Safety lock
- Pause function and recall

Hood type:	Integral to hob
Model refs:	Harmony / Harmony Plus
Dimensions:	780 or 900 (Plus) x 520 x 215 plus ducting
Finish:	Black glass
Controls:	4-speed touch control
Lighting:	None
Filters:	Aluminium mesh, suitable for dishwashers
Duct position:	Left or right
Motor:	motor and ducting kit included (air ducted out or recirculated)
Energy rating (internal motor):	B
Energy rating (remote motor):	n/a





Pictured: Westin Stratus, image courtesy of Bryan Turner Kitchen Furniture

The Westin hood range





Pictured: Westin Stratus Air
Image by Andrew Haslam courtesy of Grid Thirteen, Luxury Kitchens & Living

Ceiling Hoods

Designed to fit British ceilings our ceiling hoods are ideal for open plan kitchens, giving a clear, unobstructed view.

Ceiling hoods are most effective when mounted in the highest point of the ceiling, providing extraction for the whole room and not just the local area of the hob.



Stratus



Stratus 360



Stratus Air



Stratus Blade



Stratus Compact



Stratus Edge

new



Stratus Flush



Stratus Mono

new



Stratus Vetro



Pictured: Westin Stratus 360
Image courtesy of Tom Howley Kitchens

Air Purification Hoods

Westin 360 technology provides an improved solution to conventional recirculation when it isn't possible to duct out.

The technology is a proven air purification system which is used to clean air in hospitals and space stations. Westin 360 technology works by mimicking the natural process that scrubs the air clean and offers an effective, low maintenance recirculation option.

It has now been incorporated into a ceiling unit, the Stratus 360, offering an effective, low maintenance recirculation option.

Westin 360 technology is available in other styles of hoods by using the Westin Bespoke service.

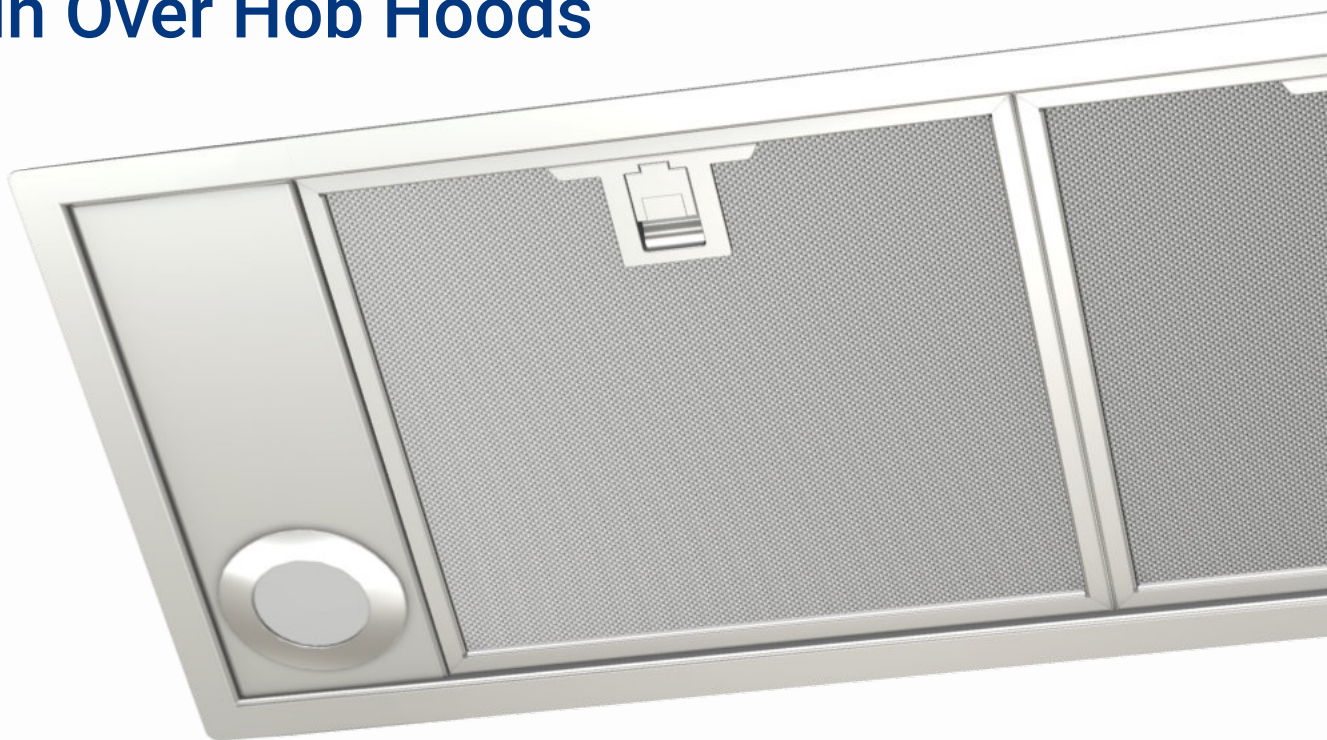


Stratus 360



Pictured: Westin Cache
Image by Paul Craig

Built-in Over Hob Hoods



Bloque

Designed to fit into a cabinet, inglenook or mantel above the hob, our built-in over hob hoods are very effective at local extraction from the hob. The fumes reach the hood within seconds and are extracted quickly.

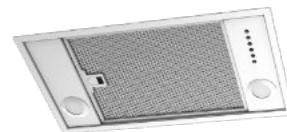


Cache

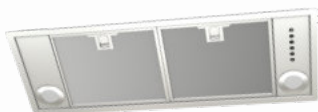


Cache Edge

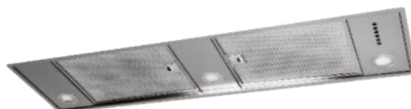
new



Cache Modular



Cache Slim



Cache Twin

new



Verticale



Worktop Solutions



Worktop level hoods are discreet units which are ideal for minimalist kitchens. Extraction can be integrated within a fully featured induction hobs, or a Downdraft unit can be used. These are designed to rise from the worktop alongside the hob and disappear when not in use.

These high-tech hoods are a popular choice, providing efficient local extraction.



Harmony / Harmony Plus

new



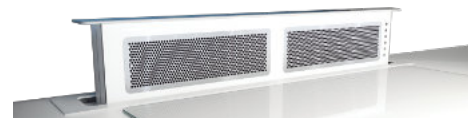
Lisser



Lisser Curve



Lisser Domino



Lisser Elevate



Lisser Flush Top



Lisser Niche



Lisser Plane



Pictured: Westin Schoon
Image courtesy of Halcyon Interiors

Island Hoods

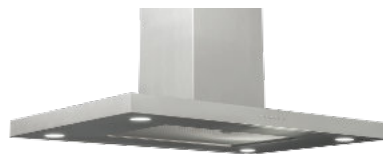
Designed as statement pieces over an island these eye-catching hoods with unique styles ensure that the island becomes the key feature in the kitchen.



Augusta



Lune



Martelli



Martelli Edge

new



Metro



Schoon



Wall Mounted Hoods

Designed to be wall mounted above the hob, Our wall mounted hoods come in a wide range of designs from the more traditional through to ultra-modern, enabling the cooking area to become the stylish focus of the kitchen.



American

new



Harter



Plancha



Screen



Serna



Serna Edge

new



Pictured: Westin Bespoke hood, image courtesy of Mowlem and Co. London

Create a Westin *Bespoke* hood





98

80

262

292

262

ply Lead

500

250

150

150

1075

1100

oring Toggle
soffit)

262

292

280

Take control with Westin *Bespoke*

Whether you require a custom design of hood, a specialised finish, a more powerful performance or just something a little bit different – then Westin *Bespoke* offers you the opportunity to design a cooker hood to your exact requirements.

You can tweak one of our hoods, perhaps by changing the finish or the lights, or go completely bespoke with a uniquely designed solution. Some variation in your choices may be necessary depending on the dimensions of the hood but we can advise on the best way of achieving your goals.

To get started why not work your way through our suggested menu, or get in touch to discuss your project and let us guide you through the process.

Westin *Bespoke* gives you complete design freedom

1. Choose the style of hood.
2. Choose the baseplate and filter design.
3. Choose the lights.
4. Choose the finish of the hood.
5. Choose the power and performance of the motor.
6. Choose your controls.

*Our redesigned controls give you complete day-to-day control of your hood with **the ability to adjust light levels and the light warmth** as well as the usual motor speed and timer functions.*



1. Westin Bespoke – Choose the style of your hood



American

A professional range cooker option designed with curved front edge detail.



Antique

A curved, bell shape body with metal band detail designed to perform over a powerful range cooker.



Chateau

A curved hood with metal band detail.



Classic

A professional range cooker option designed with straight front edge detail.

Our experience shows that most hoods fall into one of a number of styles. Select one that fits your project or get in touch to discuss your own ideas.



Contemporary

A sleek modern style which can be painted to match the kitchen cabinets.



Decorative

A cladded hood, usually in mirror or glass, designed for optimum performance.



Parisienne

A sleek professional range cooker option designed with no front edge detail.



Traditional

An angled hood with a chimney section for more traditional kitchens.

2. Westin Bespoke – Choose a baseplate

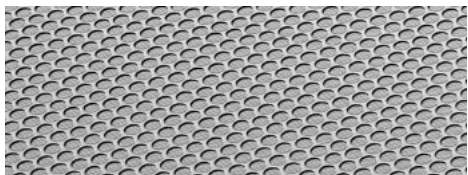
The baseplate is the underside of the hood that houses the filters. Choose a traditional honeycomb or mesh design, or perhaps a more industrial-looking stainless steel baffle. You can conceal the filters completely with a panel of any finish or choose a more contemporary look with the new Westin Edge baseplate.



Concealed (stainless steel)



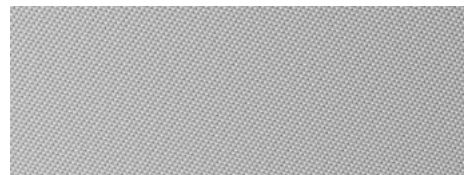
Concealed (glass)



Honeycomb



Baffle



Fine mesh

3. Westin *Bespoke* – Choose the lights

You can choose the shape, style and number of the lights on the hood; choose from square, spotlights, strip lights, light bars or a light box. They can be painted or you can choose to have no lights at all. The hood can incorporate your own lights to ensure a match with the other lights in the kitchen. The lights can either be controlled from the hood, the Westin Remote or integrated to operate alongside other room lights.



LED light blades

4. Westin Bespoke – Choose a finish

We offer a wide range of finishes for your hood. As well as brushed or polished stainless steel, hoods can be painted, clad or coated. You might want your hood to blend into your kitchen or make it a real focal point.

Paint finishes



Cooker hoods can be painted to match any RAL colour or matched to a provided colour swatch. A painted finish can be in matt, satin or gloss.

Mirror and glass finishes

Hoods can be clad in mirror or glass panels, or have a glass apron added to increase the catchment area. A mirror finish will disguise the presence of a hood and reflect light around the kitchen. Both mirror and glass can be tinted to any colour, and glass can be clear or opaque.

Liquid metal coatings



antique brass

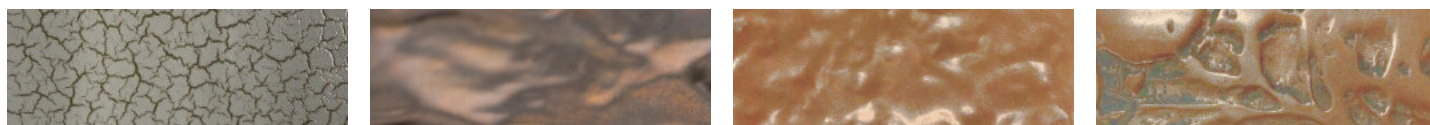
antique pewter

brushed copper

gunmetal

Liquid metal is an innovative technique which gives a unique finish. The finish shares the same characteristics as real metal in lustre and feel. It will age and patinate in the same way as metal and can be applied to any liquid metal texture.

Liquid metal textures



eggshell

light fossetta

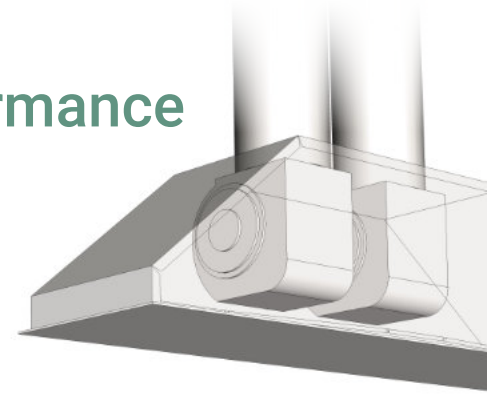
fossetta

deep fossetta

Texture can be applied to a liquid metal coating to give more depth to the finish of the hood. Examples of some of our popular textures are shown. Any liquid metal texture can be applied to any liquid metal coating to give a truly unique finish.

5. Westin Bespoke – Power and performance

The effectiveness of a cooker hood depends on the style, the motor, the size of duct, the length of the duct run and the number of bends it has. For serious cooks it is important that the performance isn't compromised so more powerful motors, or a combination of motors can be used to achieve the desired extraction in the kitchen.



Internal motor

Our standard motors work perfectly with our product range but more motor options are available. For example, it is also possible to use a combination of motors to achieve higher performance regardless of the length or complicated nature of the duct run, or the power of the cooker or hob.

Remote motor

Why use a remote motor rather than an internal motor?

- You may wish to remove the noise from the cooker hood and the kitchen.
- The dimensions of your hood may not allow for an internal motor.
- The void in your ceiling may prohibit the use of an internal motor.

Recirculating options

Westin 360 technology provides an improved solution to conventional recirculation when it isn't possible to duct out.

The technology is a proven air purification system which is used to clean air in hospitals and space stations. Westin 360 technology works by mimicking the natural process that scrubs the air clean and offers an effective, low maintenance recirculation option.

6. Westin Bespoke – Choose your controls

We've redesigned all our controls with a new look, a more practical feel and enhanced functionality to give you complete day-to-day control of your hood. As well as the usual motor speed and timer functions, there is also the ability to adjust light levels and the light warmth.



LCD touch control



Remote control



Push button



Image by Lee Newton

Why choose Westin?

We've been designing and manufacturing cooker hoods from our Huddersfield base in Yorkshire since 1921. Our factory uses state-of-the-art precision machinery and we hand finish every hood using traditional methods.

Our customer service team is available to guide you through the whole process from choosing the most appropriate hood for your kitchen through to ordering and delivery. No job is too small nor too big to advise upon.

The Westin service does not stop after delivery as a comprehensive after sales service is provided.





Pictured: Westin Bespoke Hood
Image by Darren Chung courtesy of Roundhouse

We are the Cooker Hood Specialists

Manufacturing



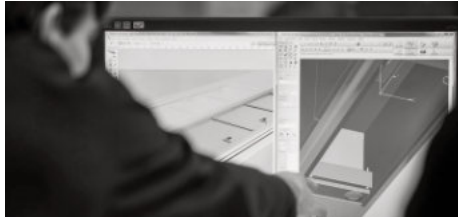
The Westin Manufacturing team is based in Huddersfield and take pride in the high quality of our cooker hoods.

The factory has leading edge precision machinery for folding and cutting the steel but to achieve the highest standard of finish many of the manufacturing processes are done by hand including polishing, welding, wiring, packing and storing.

For a painted finish, the hood is baked in an oven to ensure the durability of the paint but prior to that the hoods are spray painted by hand to achieve a high quality finish.

Our manufacturers have specialist skills and they apply the same precision and detail to every hood made, whether it is a Westin hood or a Westin *Bespoke* hood.

Product Design

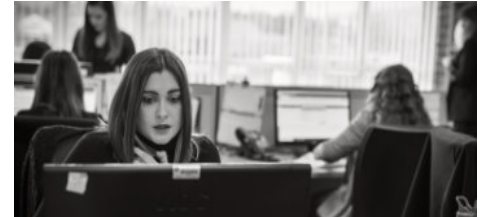


The Westin Design team lead the way in quality and innovation, combining their creative expertise with the latest technology to create beautiful cooker hoods with outstanding performance.

Our designers collaborate with manufacturing and customer service to design and create stunning cooker hoods for both straightforward and more complex situations.

Attention to detail is invaluable. As well as a continuous programme of improvement to our existing products, the design team also play a key advisory role with both the aesthetics and performance of hoods within Westin *Bespoke* projects.

Customer Service



Westin are a well-established British manufacturer of cooker hoods for domestic kitchens and we pride ourselves on our traditional approach to customer service which is both personable and friendly.

As cooker hood specialists with a wealth of experience, no job is too small nor too big to advise upon.

Whether you choose a Westin hood or require a Westin *Bespoke* solution our customer service team will guide you through the whole process and ensure that your cooker hood performs as you need it to.

With our comprehensive after sales service, we are here for you throughout the life of your hood.

Westin

The Cooker Hood Specialists



westin.co.uk

  @westinhoods

sales@westin.co.uk

+44 (0) 1484 421585

W. S. Westin Ltd
Phoenix Mills
Leeds Road
Huddersfield
HD1 6NG
United Kingdom



Information has been carefully checked and is believed to be accurate; however, no responsibility is assumed for inaccuracies. All dimensions are approximate and are shown in millimetres. Images are not shown to scale. Westin reserve the right to amend or alter the sizes and look of any product without prior notification.